

PUBLICATIONS DEPARTMENT
REPRO-COPY AND LABEL WITHDRAWAL SHEET

PART NUMBER 220-4560 DATE 9-7-84

TITLE Kit Instruction

SPECIAL INFORMATION 3 pgs

REQUESTED BY John TO WHOM SENT Beem

PROBABLE DATE OF RETURN Oct 19 ACTUAL DATE OF RETURN _____

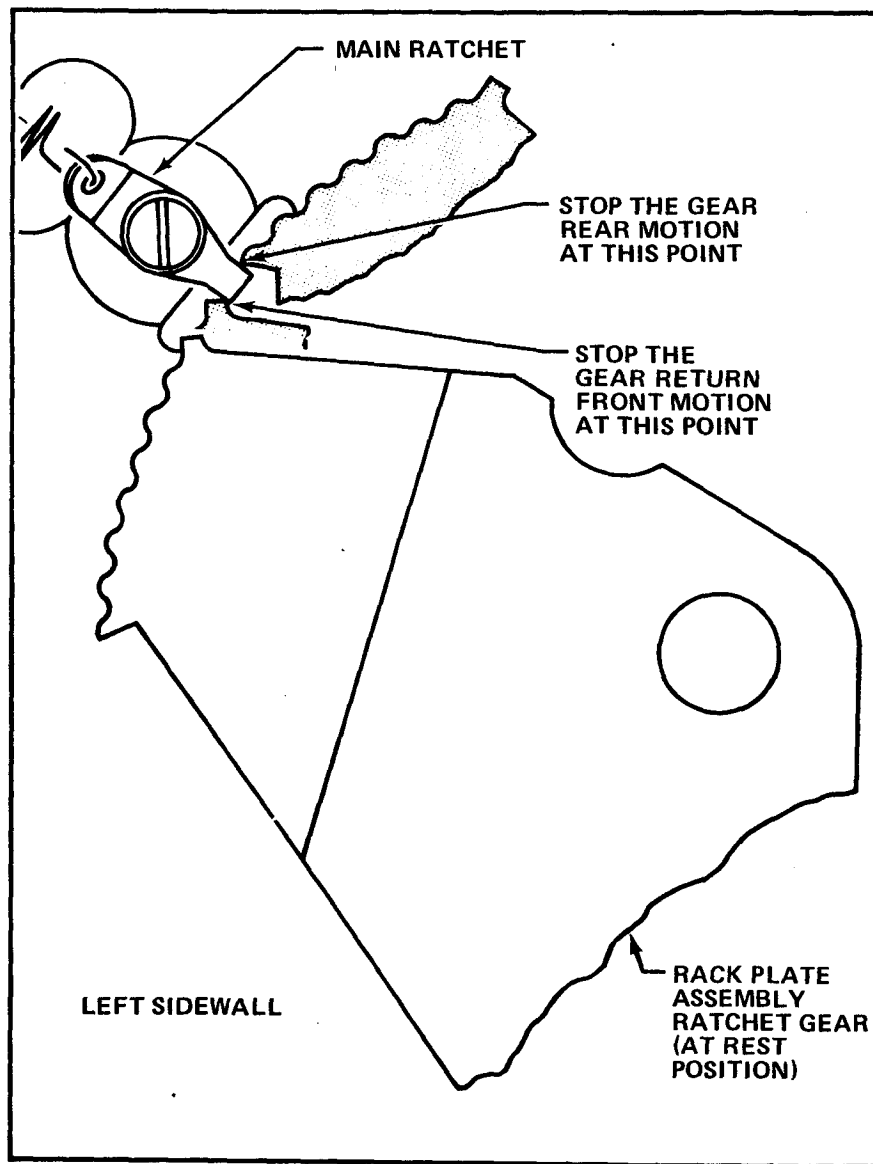


FIGURE 4.

licated in step 13b. If the Counter works properly, the Pull Knob may be allowed to return to its at-rest position.

d. If the Counter is not properly activated, reposition the Counter Arm and retest the Counter Operation.

e. Repeat step 13 until the Counter operates properly.

14. Install the Delivery Mechanism in the Cabinet.

15. Replace or close the Cabinet Door.

16. Make a purchase from the Merchandiser.

17. Check the Counter, if the Counter has not properly recorded the vend, recheck the Counter Arm for proper position and action per step 12 through 17.

18. When the operation of the Merchandiser and the Counter is satisfactory, close the Cabinet Door, the Merchandiser is ready for vending.

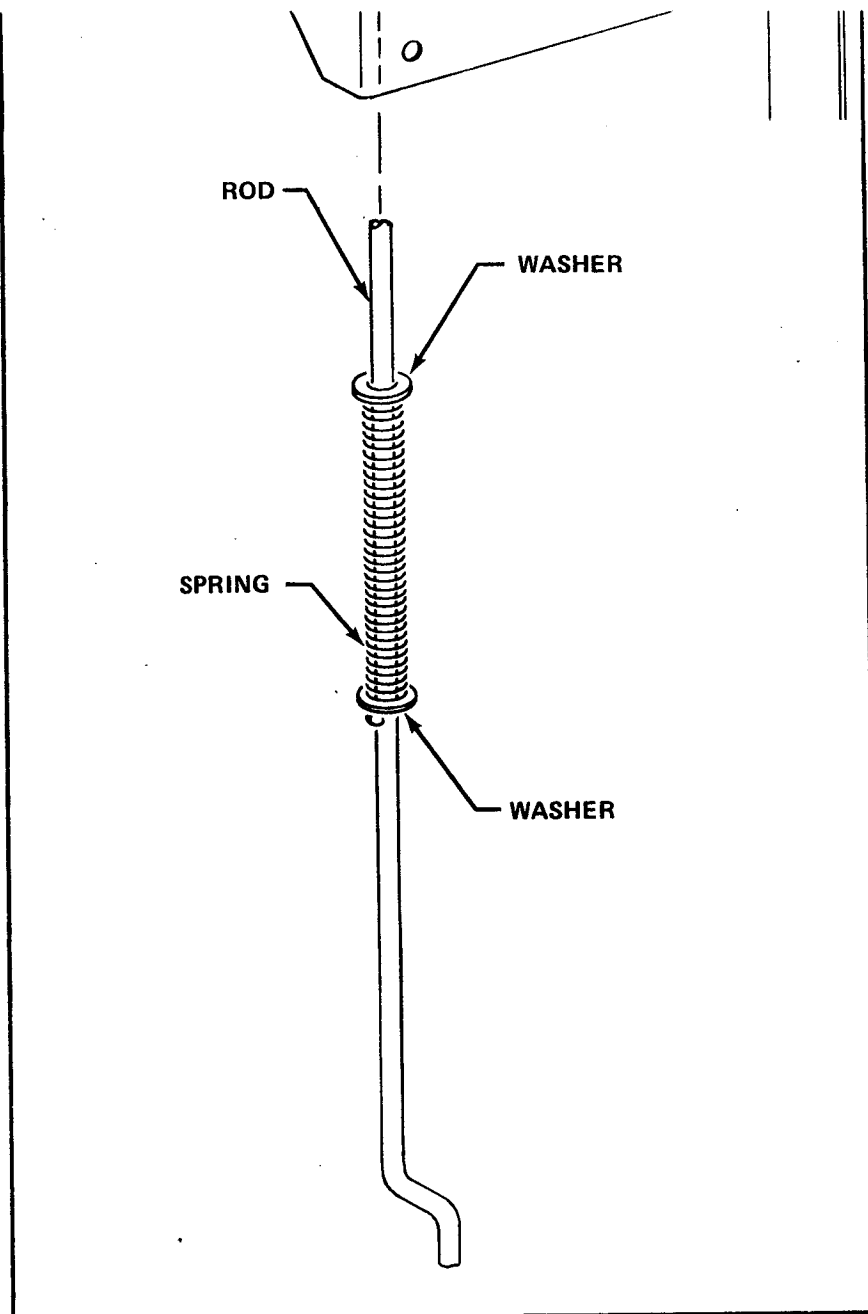


FIGURE 2.

FIGURE 3.

9. Place the loop on the end of the Rod Assembly on the Stud on the Changer Drive Arm Assembly. See Figure 3.
10. Attach the Rod Assembly with the Retaining Ring, part number 9900-425, included in the Kit.
11. Replace the two Cable Clamps removed in step 8 and attach the Clamps with the two Screws removed in step 3. Be sure the Cables are held in place properly by the Clamps.
12. Check the spacing between the top Flat Washer on the Operating Rod and the bottom arm of the "U" Bracket on the Counter Assembly. The spacing should be about $1/32$ ". If the spacing is such that the Counter Bracket is not free to complete a count cycle then the Arm on the Counter must be repositioned.
13. Test the operation of the Counter. See Figure 4.
 - a. Record the number on the Counter Dial.
 - b. Slowly pull a Pull Knob out, watch the Rack Plate Assembly Ratchet Gear as it rotates toward the rear of the Mechanism. As soon as the Main Ratchet drops off the Gear as it recedes, allow the Pull Knob to slowly return to its at-rest position. The Ratchet Gear will rotate forward as soon as the Main Ratchet drops off the rear side of the Ratchet Gear, the movement of the Pull Knob will be stopped. The Counter should have advanced one number.
 - c. Pull the Knob slowly forward and allow it to return one more time. The Counter should react as in-

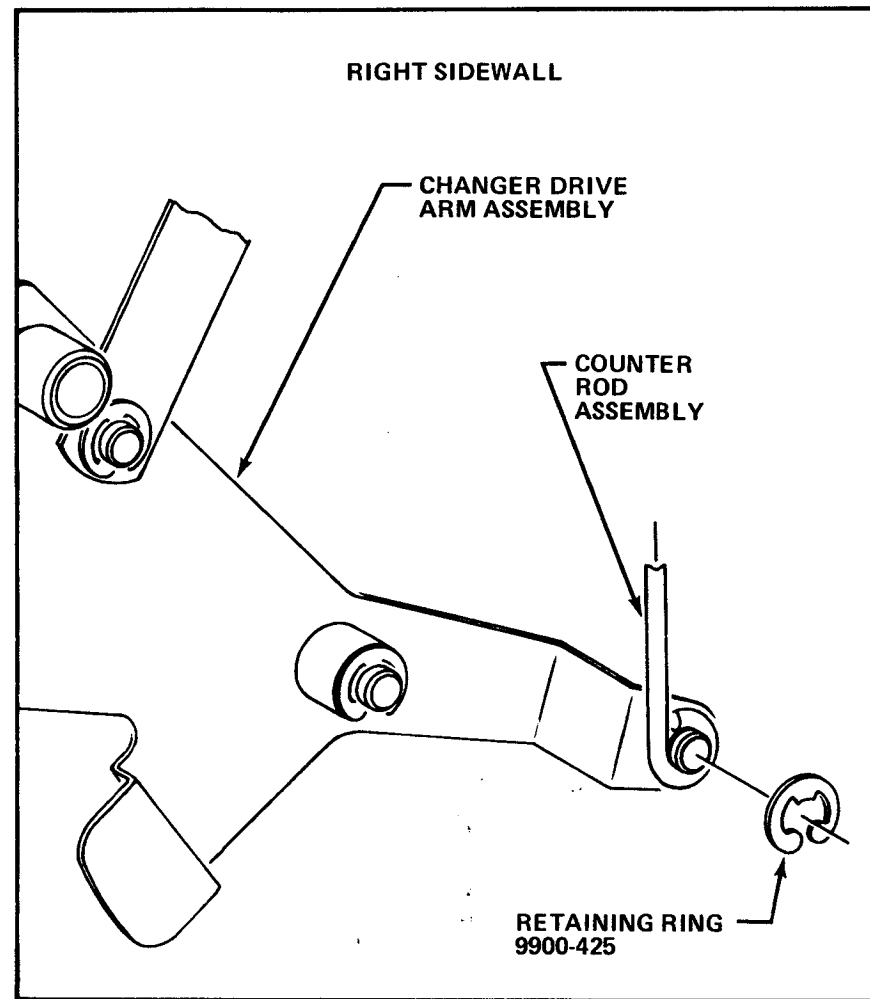
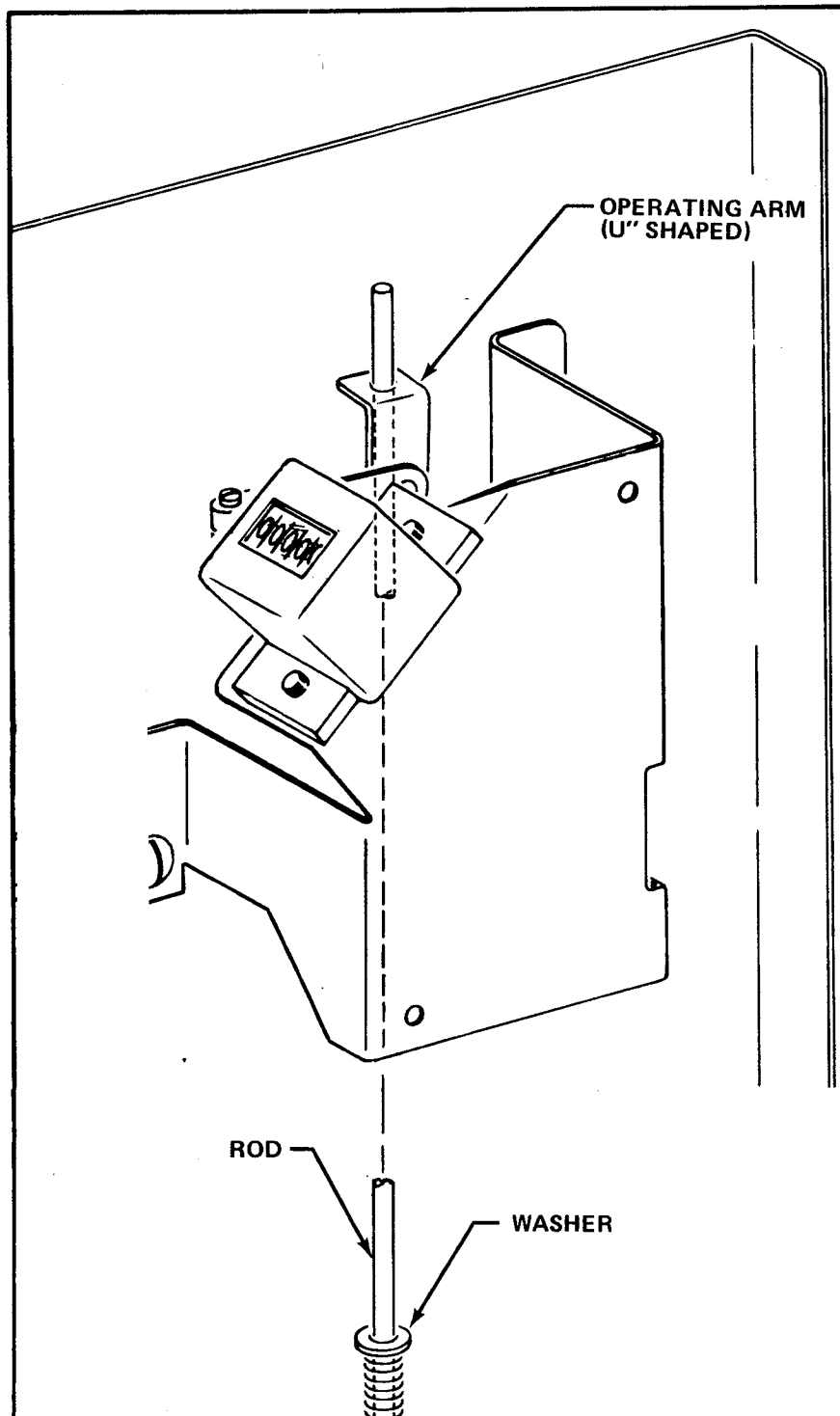


FIGURE 3.

9. Place the loop on the end of the Rod Assembly on the Stud on the Changer Drive Arm Assembly. See Figure 3.
10. Attach the Rod Assembly with the Retaining Ring, part number 9900-425, included in the Kit.
11. Replace the two Cable Clamps removed in step 3 and attach the Clamps with the two Screws removed in step 3. Be sure the Cables are held in place properly

* * *

The Non-Reset Counter Kit, part number 220-4558, consists of the following parts:

Part Number	Description	Quantity
222-4610	Non-Reset Counter And Bridge Assembly Attaching Part	1
9900-046	Screw, #8-32 x 1/4", RH Slot, Self Tap	3
	* * *	
220-4554	Counter Rod Assembly Attaching Part	1
9900-425	Retaining Ring, .250"	1
	* * *	
220-4560	Installation Instructions	1

* * *

TO INSTALL THE RESET OR NON-RESET COUNTER KIT PARTS:

1. Remove or open the Cabinet Door. Set the Door Holder Leg on the Hinged Door Merchandiser.
2. Remove the Delivery Mechanism from the Merchandiser.
3. Remove the two #8-32 x 1/4" Round Head Screws which attach the two Cable Clamps to the Changer Harness Bridge.

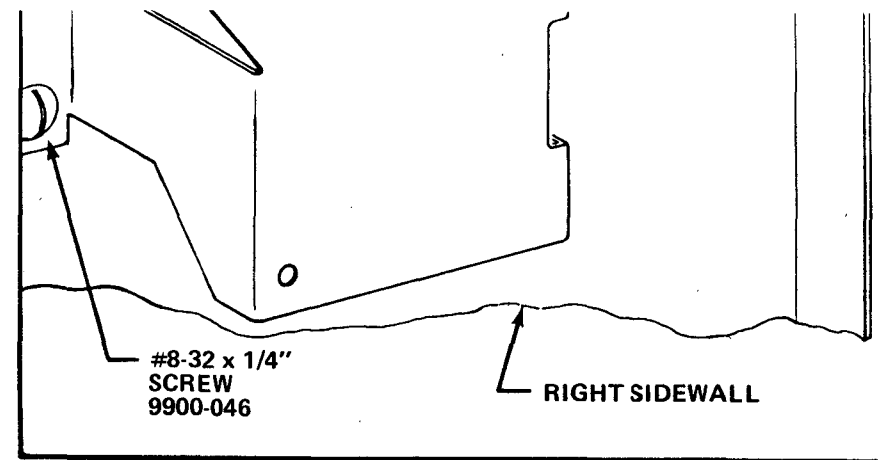


FIGURE 1.

4. Remove the three #8-32 x 1/4" Round Head Screws which attach the Changer Harness Bridge to the Delivery Mechanism Right Sidewall.
5. Remove the Changer Harness Bridge.
6. Install replacement Counter And Bridge Assembly in the position the Bridge removed in step 5 was in. See Figure 1.
7. Attach the Counter And Bridge Assembly with the Screws removed in step 4 or with the three #8-32 x 1/4" RH Slotted Self Tapping Screws, part number 9900-046, included in the Kit.
8. Insert the Counter Rod Assembly, part number 220-4554, up through the two holes in the "U" shaped Bracket on the Counter Assembly. See Figure 2.

INSTRUCTIONS FOR INSTALLING A RESET COUNTER KIT (220-4559) OR A NON-RESET COUNTER
KIT (220-4558) IN A NATIONAL VENDORS® SERIES 550 OR SERIES 555 CHANGER EQUIPPED
CROWN LINE®, SERIES 800/CABARET 800 MANUAL CIGARETTE MERCHANDISER

Before starting the work of installing the parts of either the Reset or Non-Reset Counter Kit covered in these instructions, carefully and thoroughly read the instructions. Save the instructions for future part number reference. Although the two Kits contain different parts, the general installation procedures for both Kits are the same.

The Reset Counter Kit, part number 220-4559, consists of the following parts:

Part Number	Description	Quantity
222-4615	Reset Counter And Bridge Assembly	1
9900-046	Attaching Part Screw, #8-32 x 1/4", RH Slot, Self Tap * * *	3
220-4554	Counter Rod Assembly	1
9900-425	Attaching Part Retaining Ring, .250" * * *	1
220-4560	Installation Instructions * * *	1

The Non-Reset Counter Kit, part number 220-4558, consists of the following parts:

Part Number	Description	Quantity
222-4610	Non-Reset Counter And Bridge Assembly	1
9900-046	Attaching Part Screw, #8-32 x 1/4", RH Slot,	

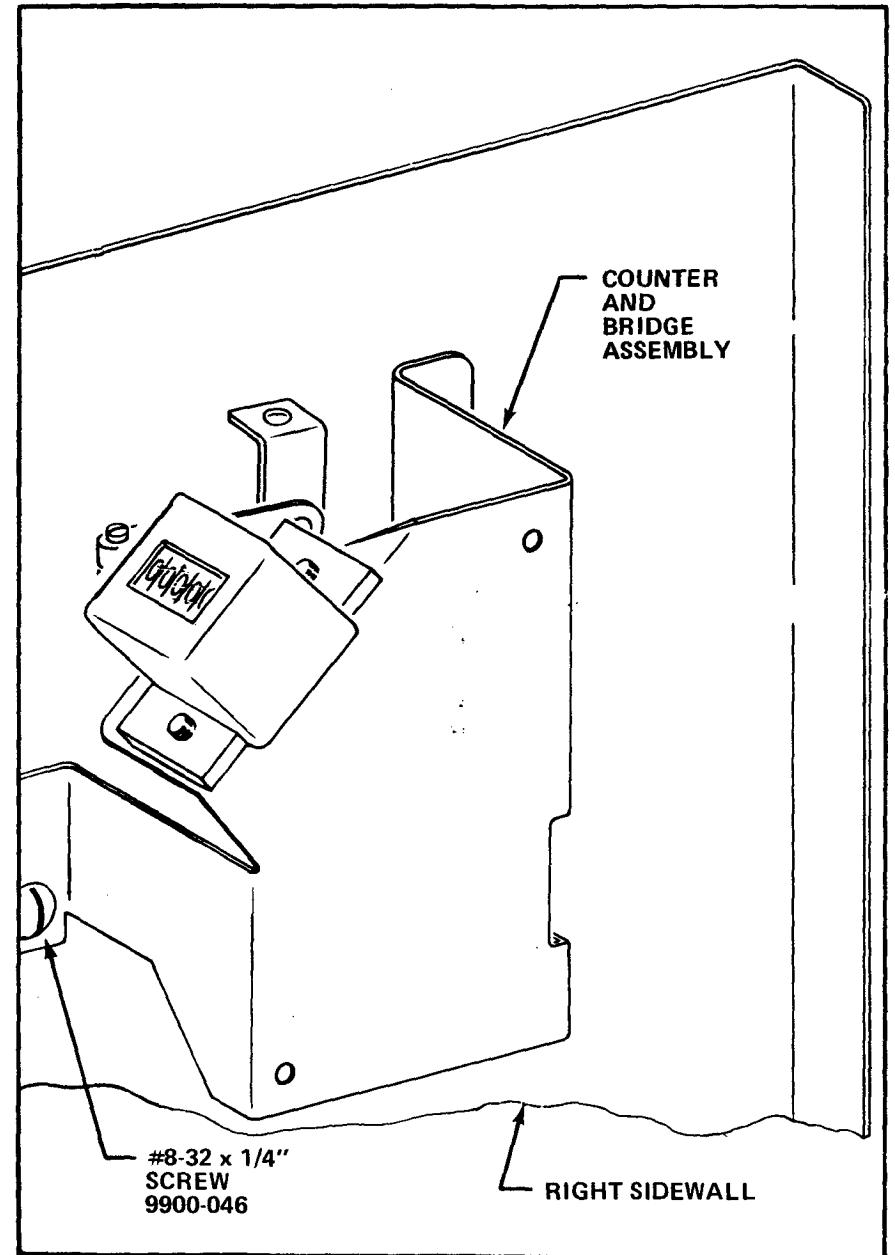


FIGURE 1